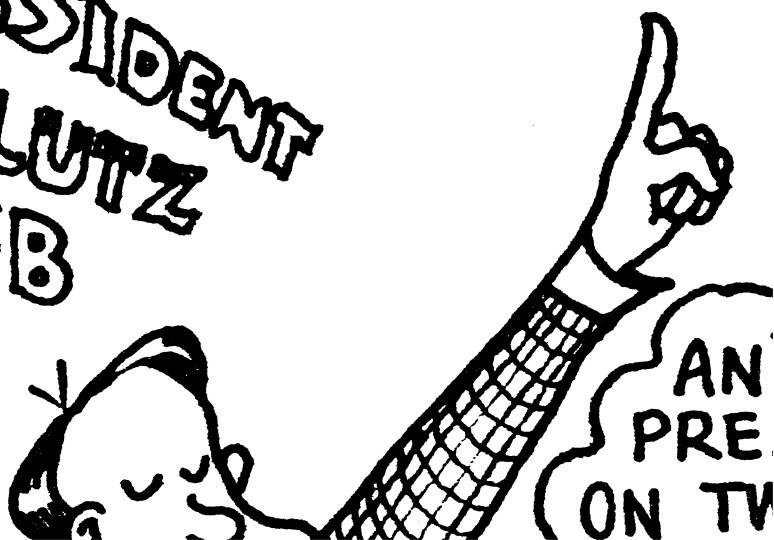


Ham

Rockford Amateur:

FOR PRESIDENT
CHARLIE GLUTZ
W12 QSB



President's Log

Fall is with us once again and it time to shift from outdoor to indoor activities.

However, before considering such activities in this report, I would, on behalf of the members of the Rockford Amateur Radio Association, its officers and directors, compliment our retiring President John Wacker for the successful direction and completion of the club's activities during his term of office.

During this period our membership has noticeably increased and several monetary public service contributions were made to Local civic projects.

In speaking of the Christmas holiday reminds me that the time of our annual Christmas party is near. Plans are now being made by the Christmas Party Committee (Paul Klein, Mick McBride and Jim Dunlea) as to the location, food and entertainment. Be sure to come to the October 8th meeting for details.

To consider direction of the club's activities for the next year, there will be an election of officers at the October meeting. Ray Lenburg, Chairman, with the assistance of Maurice Nelson and Claude Middleton are serving as the nominating committee. Their report will be submitted for your approval. Nominations from the floor will also be considered.

Carl Cacciatore, WB9PBR, will have more news on the new novice class.

So come to the meeting October 8th, elect your new officers and learn more about the year end activities.

Editor's QRM

JOHN WACKER, WN9SGF

Once in a while, there comes along a person that is unique. He is the one that takes on responsibilities and projects that others find a number of excuses why they cannot become involved. John Wacker is in this category.

During his term in office, John became one of the most active presidents in the history of the Rockford Amateur Radio Association. I am still amazed about John serving the field day troops breakfast on Sunday morning after organizing and preparing a large function for his company the previous day. Furthermore, he had to average two to three phone calls concerning club business, a day. At this time there are two projects that are being planned, that got their start at John's urging.

John gave of himself so much that eventually he was ordered by his doctor to slow down. While I am sorry that he was forced to resign, I am happy that he finally took the advice that had been given to him on frequent occasions.

Vice President Jim Clark now assumes the office of President and it is the hope of the editors of the Ham Rag that he will have the support of all club members during the balance of his term.

I feel that a post script is in order to dispel the idea that John Wacker and I will give up our "Mutual Admiration Society". It is my great hope that we will continue to harass, ride and otherwise raise hell with each other. Without that life would be dull.

Fred, K9KTS

ROCKFORD AMATEUR RADIO ASSOCIATION, INC.

P.O. Box 1744, Rockford, Illinois 61110

OFFICERS - - - - - 1976 - - - - - DIRECTORS

Pres.	John Wacker	WN9SGF	399-1695	Paul McBride	W9NKQ	399-7973
V.P.	Jim Clark	W9BAV	226-5696	Fred M. Johnson	K9KTS	398-6584
Sec.	Byron Dale	WB9PBZ	965-2519	Clyde Aspling	WB9KOT	1-874-2330
Treas.	Jack Muntz	WB9PCA	964-1842	Bill Ridgway	WB9KOS	877-2315

Ham Rag Editor

Fred Johnson, K9KTS 398-6584

Associate Editors

Jim Michna WB9PBY 968-7380

Byron Dale WB9PBZ 965-2519

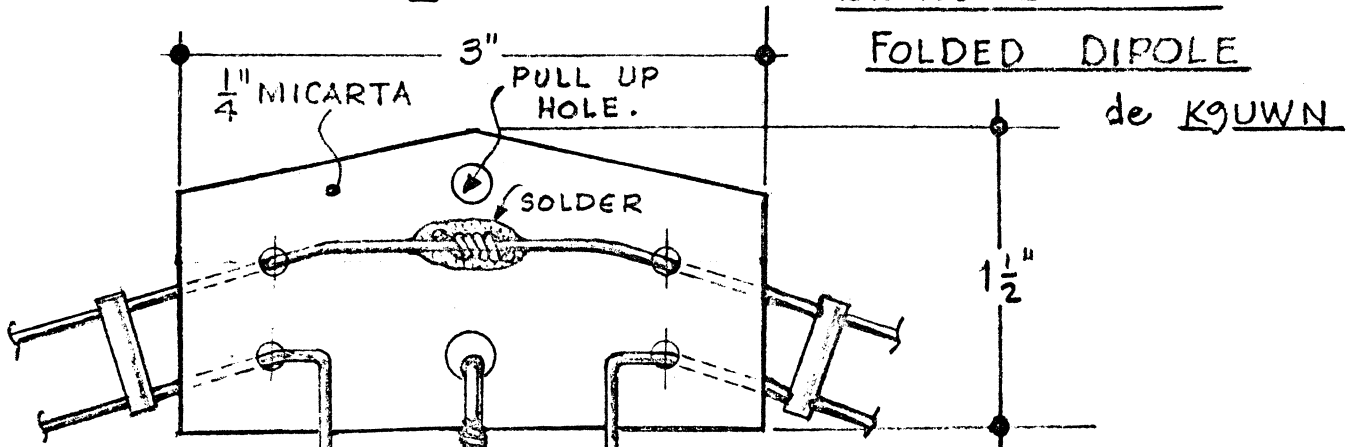
Your questions, suggestions, and criticisms are invited. Phone any time.

Tech-Topics

BROAD BANDED

FOLDED DIPOLE

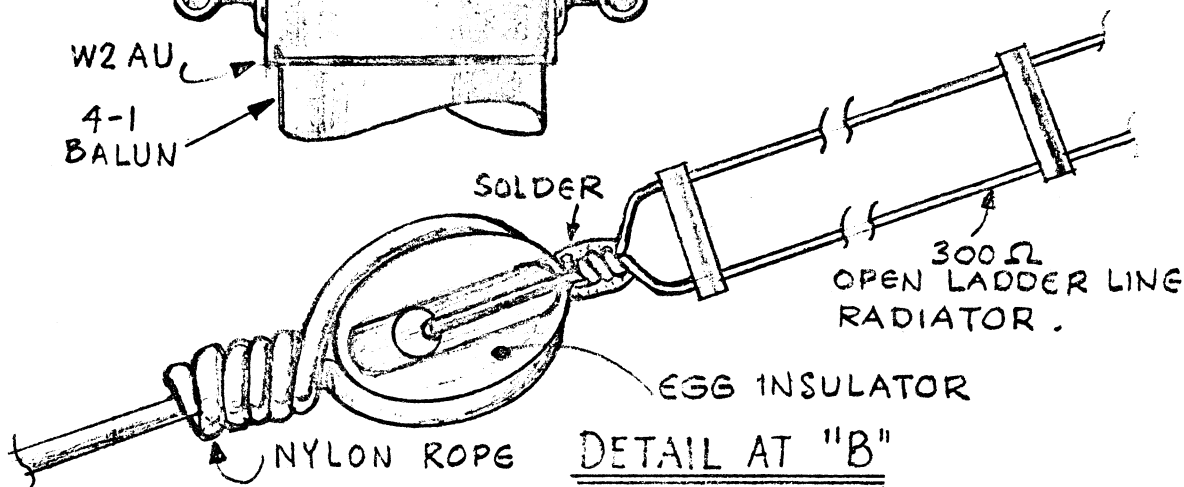
de K9UWN



DETAIL AT "A"

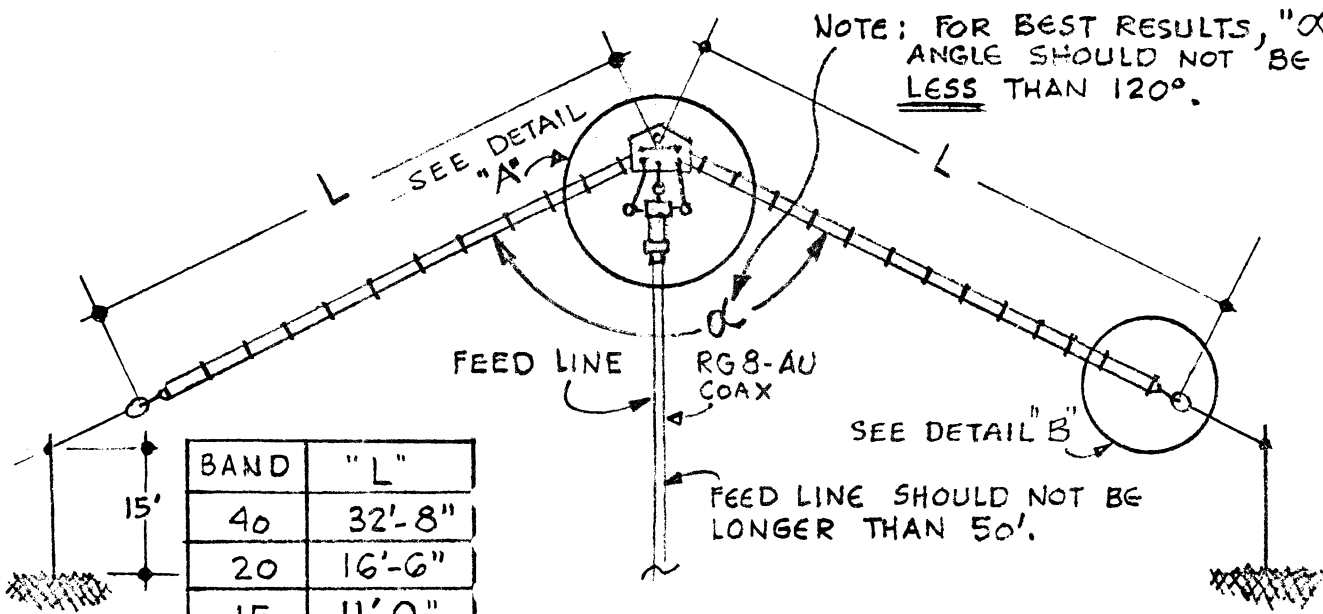
W2AU
4-1
BALUN

SOLDER (2)



DETAIL AT "B"

NOTE: FOR BEST RESULTS, " α " ANGLE SHOULD NOT BE LESS THAN 120°.



BAND	"L"
40	32'-8"
20	16'-6"
15	11'-0"
10	8'-4"

Potpourri

Is it possible to tell the story of Ham Radio and R.A.R.A. to thousands of Rockford area people without spending vast amounts of money? Yes, thinks Jim Dunlea, WB9KZQ, and a small group of the R.A.R.A. membership. And they believe the club could do it without a large expenditure of money! Jim's idea is simple but requires some real planning and coordination.

The idea? Why not have a "Carrousel of Ham Radio" in the Cherry Vale Mall on December 18 and 19. The "Carrousel" would include such things as an operating M A R S station for free messages to servicemen. In addition, there would be operating Novice, HF, VHF and simulated slow-scan TV. Included with this operating display would be numerous A.R.R.L. hand-outs and information on R.A.R.A. as well. Also to be included would be some A.R.R.L. produced films showing our story.

Is this kind of exposure during the busy Christmas season really possible? Jim and his committee think so and are busy working on approval from the Board of Directors for this idea. The Board in its last meeting listened to this roughed-out idea and was asked by the committee to come back on October 18 with a line-item budget as well as a detailed plan for its implementation. If the idea can pass a probing Board examination of the details, they might give the group the go-ahead. Thus, Jim's committee will be working hard in the next few weeks to firm-up these ideas for final Board approval or disapproval on October 18.

If the idea appeals to you and you think you can add some input or help, Jim's committee will be meeting at the Red Cross on Monday, October 4 and 11 at 7:30 P.M. They would welcome your participation in working-out the problems and prospects!

In this reporter's opinion, if the idea is carried through to reality, Ham Radio and R.A.R.A. will receive more public exposure than it has in a long, long time. Yes, it's out-of-the-shack time and into the public's eye. And yes, its out CB'ing the CB'ers. And, it's about time.

Ham Mart

FOR SALE - Complete sets of QST Magazines (14 years - 1961-1973 inclusive) \$25.00.

will not divide individual years.

Lee Shilain W9ZZL
1303 Rebecca
Rockford, Ill. 61107

R.A.R.A. CODE PRACTICE NET.

Thursdays from 6:00 P.M. to 7:00 P.M.

Local Time. FREQ. 21.165 MHZ.

K9UWN, NCS (usually)

First half hour--Code Speed 7-8 WPM

Second half hour --Code Speed 10-11 WPM.

- A text is sent and participants are required
to copy and transmit results (errors, etc.)
to NCS.

Open to all Novices and/or General Class.

ROCKFORD AMATEUR RADIO ASSOCIATION
P.O. BOX 1744 ROCKFORD, ILLINOIS 61110



FIRST CLASS

Nets:

28.7 Mhz. Monday 9:00 P.M.

50.4 Mhz. Nightly 9:00 P.M.

146.94 Mhz Monday 8.00 P.M.

RACES Monday 8:30

145.65 Mhz In

147.00 Mhz. Out

Paul Dean, WB9HGZ

317 Shaw Street

Rockford, Il. 61108